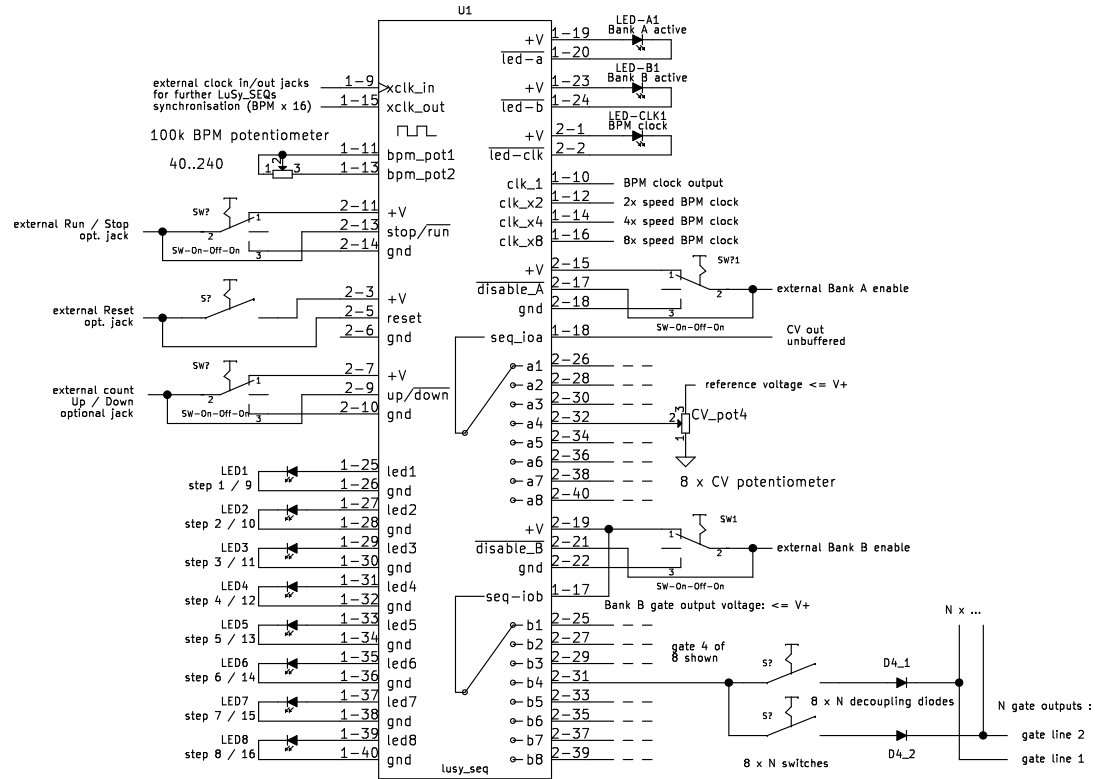


LuSy_SEQ_application 1: 8 x CV + 8 x Gate Sequencer



www.kulturgueter-schuppen.de

Sheet: /

File: lusy_seq_app.sch

Title: LuSy_SEQ_app

Size: A4 Date: Dienstag, 05. Mai 2015

KiCad E.D.A. kicad (after 2015-mar-04 BZR unknown)-product

Rev: 1.1

Id: 1/1